

Biogents
Mosquito Control

Tiger Mosquito Trap

BG – Mosquitaire

Instruction Manual	2	(EN)
Manuale d'uso	9	(IT)
Manuel d'instruction	17	(FR)
Manual de instrucciones	25	(ES)

Updates for the manual can be found on the website: www.biogents.com

Safety Instructions and Warnings

- Carefully read the directions for use before you begin operating the Biogents Mosquitaire (BG-Mosquitaire).
- The BG-Mosquitaire catches tiger mosquitoes considerably well; however, it offers minimal protection against other blood-sucking insects. In case of an epidemic that is caused by tiger mosquitoes, you should take further protective measures since using the trap alone does not offer 100% protection.
- For the maintenance of the BG-Mosquitaire trap and the control of the mosquito catch rate, household gloves should be worn, and the catch bag should be properly removed to avoid mosquitoes from escaping.
- **WARNING:** An electric shock hazard may exist if water from a garden hose is directed at the insect trap.
- When using extension cord please keep the socket-outlet away from any moisture and avoid damage to the cord.
- The appliance is not to be used in or around locations where flammable vapour or explosive dust is likely to exist.
- This appliance is not intended for use by persons (including children) with reduced physical, sensory or mental capabilities, or lack of experience and knowledge, unless they have been given supervision or instruction concerning the use of the appliance by a person that is responsible for their safety.
- Children should be supervised to ensure that they do not play with the appliance.
- The BG-Mosquitaire trap and the BG-Sweetscent dispenser are to be kept out of reach of children.
- Only use accessories and spare parts that are recommended by the manufacturer. The use of other attractants, nets, or gauze with the trap can significantly reduce the catch rate or even completely render it ineffective.
- Only allow qualified specialists with original parts to repair the BG-Mosquitaire trap.
- The power supply and its flexible cable cannot be repaired. If it is damaged, it shall be scrapped.

Appropriate Uses and Regulations

The BG-Mosquitaire is designed to capture tiger mosquitoes outside as well as inside the house in case of *Aedes aegypti* nuisance in tropical areas. It needs to be protected from rain and direct sun exposure and should be placed in an area where it will not be submerged in water. The trap and the transformer need to be protected from intense heat (above 40° C) and extreme cold (below 5° C).

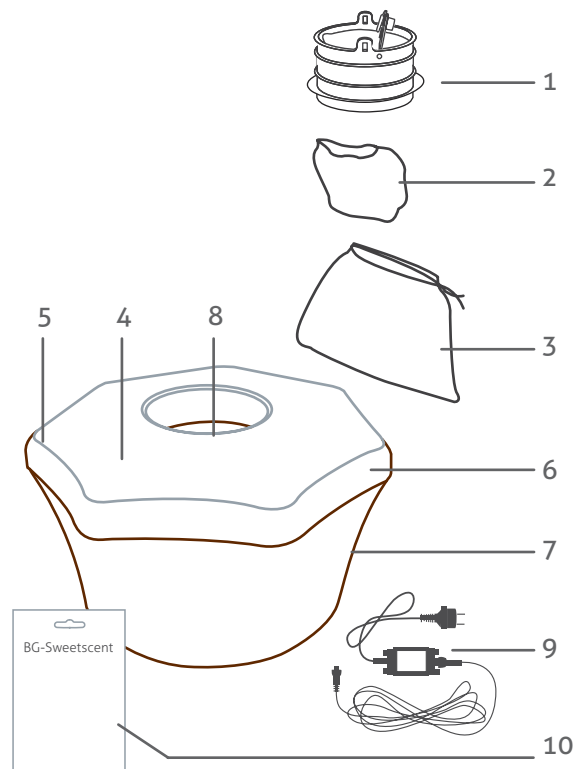
The BG-Mosquitaire should also not be used in very dusty surroundings, as the dust may clog the nets and the gauze covering which obstructs the air currents. The manufacturer is not held liable, in any case, if the product is improperly used or if any variations are made to the product. Please pay close attention to all of the information that is contained in the instruction manual.

Contents Included in the Packaging

1. Suction funnel with shutter
2. Funnel net
3. Catch bag (2x)

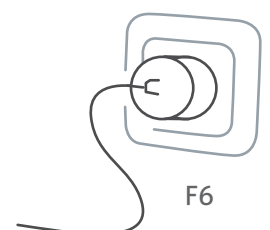
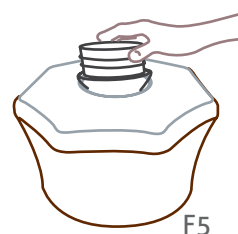
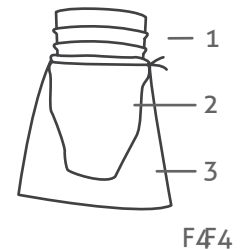
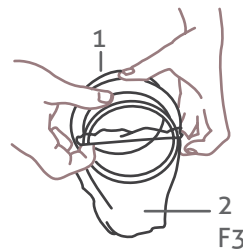
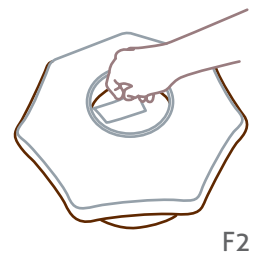
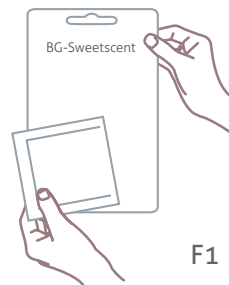
Preassembled body

4. Gauze covering
5. Top part of lid
6. Bottom part of lid
7. Trap body
8. Inner tube with ventilator
9. 12 V outdoor power supply (EU version with 8 meter cable)
10. BG-Sweetscent™



Assembling the Trap

1. Open the BG-Sweetscent package and remove the white BG-Sweetscent pouch [F1]. Place the BG-Sweetscent into the black slot located on the inside wall of the inner tube [F2].
2. Place the funnel net (2) around the bottom of the intake funnel (1) [F3]. Then place the catch bag (3) over the funnel net (2). Tighten the top part of the catch bag (3) about 2 cm below the top of the funnel net (2) [F4].
3. Insert the intake funnel with the attached funnel net and catch bag [F4] into the opening on top of the lid [F5].
4. Plug the outdoor power transformer (9) into a water safe outlet [F6].



Positioning the Trap: When and Where?

The correct placement of the trap is an important factor that heavily influences its effectiveness. A detailed description of how to best position the traps can be found in the internet at:

http://www.biogents.com/html/img/pool/Placement_and_effect_en.pdf

General:

The trap should be placed outside from spring to autumn: average temperature > 15° C.

Position the trap in a location that is **sheltered from direct sunlight, wind, and heavy rainfall** [F7].

For best results, position the trap in a **shady, humid location close to mosquito breeding spots or resting zones** [F8], e.g. in shrubs or under trees, near puddles or rain barrels. The trap will not be affected by rainfall.



In detail:

When? The correct time to operate the trap:

The trap should be put out when the average temperature has risen over 15° C. Above this temperature, adult mosquitoes are actively flying. It is best to catch the mosquitoes now before they have a chance to reproduce and lay their eggs. It is important to make sure that the trap runs 24 hours a day.

Where? The correct position:

To locate the most optimal area to place the BG-Mosquitare trap, you must establish where the tiger mosquitoes are coming from. The mosquitoes fly from the following two directions:

1. **Breeding waters:** Mosquitoes lay their eggs in natural and man-made containers. From there, the recently emerged mosquitoes begin searching for their first prey. Possible breeding waters could be:
 - Rain barrels, rain gutters, discarded tires, natural tree and rock holes, or other water containers
 - Flower pots, standing flower vases, plant saucers, or similar containers
 - Wet habitats and puddles (all that do not contain small fish)
2. **Resting places:** Mosquitoes rest in foliage, e.g. hedges, and other shady, windless places with high humidity to prevent water loss. From here, mosquitoes also begin their search for prey. Mosquitoes do not like places with intense direct sun exposure or wind.

All of the upper surfaces of the trap must be clearly visible to the mosquito so that its specialized appearance is effective in attracting mosquitoes. Therefore, do not place the traps under very dense bushes [F9]. A distance of at least 0.5 meters above the top of the trap needs to be kept clear [F10]. Reducing the clearance above the top of the trap will hinder the visual signals and air currents of the trap and consequently reduce the catch rate.



F9



F10

Sheltering the trap from heavy rain:

A sheltered position (e.g. in a sparse shrub [F10], under a tree, or under a roof) has a positive effect on the catch rate. Here even rainfall does not affect the catch rates.

However, if the trap is exposed to heavy rainfall there are negative effects that might decrease the catch rate, even though heavy rainfall does not damage the trap:

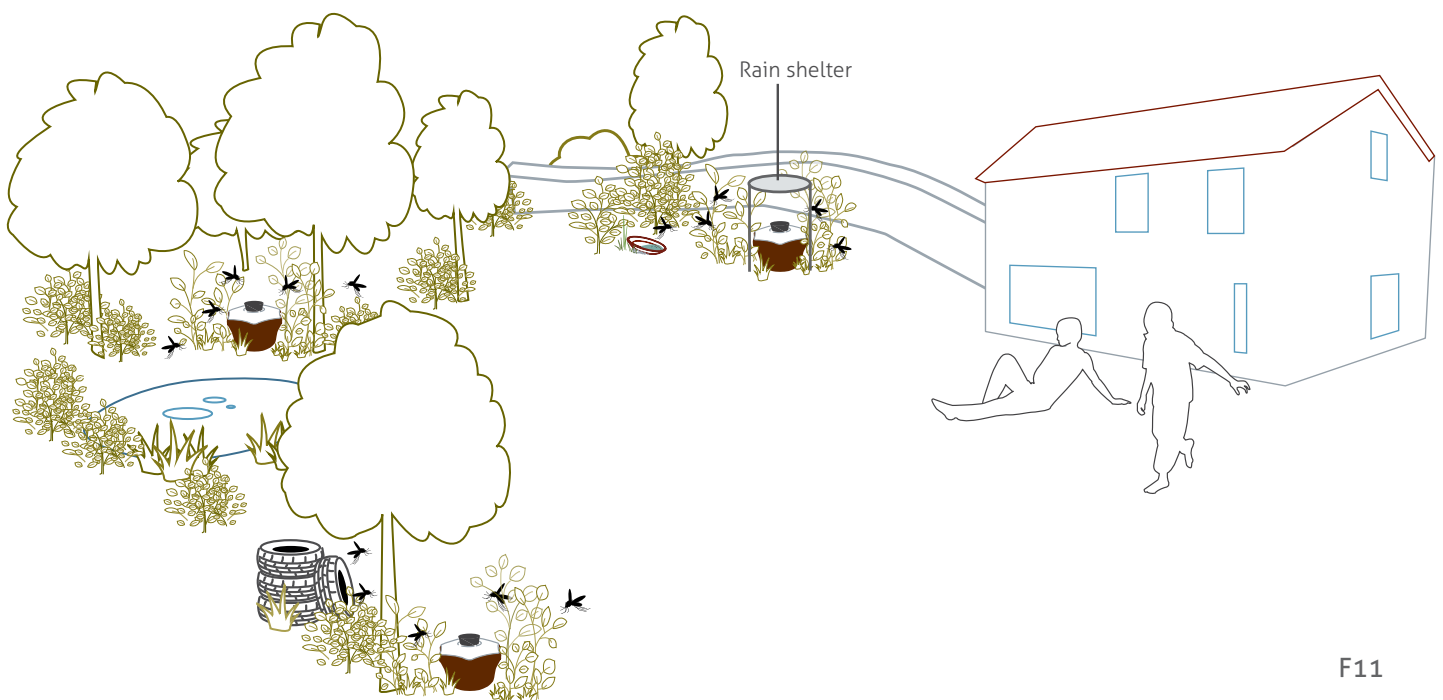
- Mosquitoes avoid heavy rain and prefer sheltered positions. In sheltered positions the catch rate can be therefore higher.
- Heavy rain might disrupt the airflow by clogging the pores of the cover. This causes a reduction in the suction power of the ventilator. Therefore, ensure that the trap is sheltered from rainfall.

If you do not find a naturally sheltered position like trees or shrubs for the trap, it would be best to position the trap under a covered area, or a self made shelter to keep it out of direct heavy rainfall.

It is important to follow the following guidelines when sheltering the trap from the rain:

- Whatever is placed over the trap must be at least 0.5 meters above the top surface of the trap. Any distance lower will hinder the visual signals and air currents of the trap and consequently reduce the catch rate.
- Make sure the shelter covers an adequate area around the trap, so that rain cannot enter from the sides.
- Make sure the shelter is stable and durable.

The graphic below [F11] depicts possible locations for the BG-Mosquitare between mosquito breeding spots, mosquito resting areas, and the house. Please position the trap so that no one can trip over the power cord.



F11

Controlling the Catch Results

Check the catch bag and obtain the catch results after three days of running the trap. You need to extend the period between controls if it has frequently rained or stormed, because mosquitoes are not likely to have been flying and also in spring or fall when the average temperature is below 20° C. Evaluating the catch results: Place the properly removed

catch bag in a freezer bag and store it in a freezer for 2-3 hours to kill the mosquitoes, or simply leave them out in the sun to dehydrate. You can then empty out the contents of the catch bag and count the captured mosquitoes. It is recommended to check the catch success of the trap to make additional provisions or necessary changes of the position.

Maintenance and Care

When working with the BG-Mosquitaire trap and also when monitoring the catch results, household gloves should be worn, and the catch bag should be properly removed. This is to ensure the captured mosquitoes that are still alive cannot escape and cannot bite you through the net.

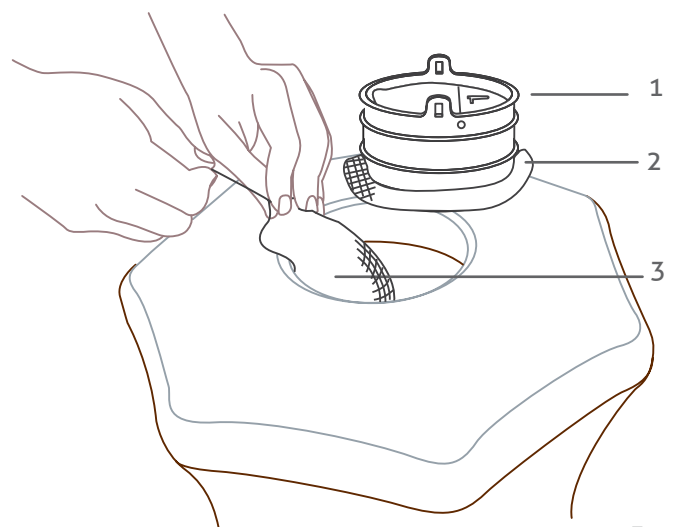
Use a damp cloth to clean the plastic part of the trap. Do not use any cleaning agents, solvents, or insecticides, because

the residues from these products can have a repelling effect for the mosquitoes and consequently reduce the catch rate of the trap. Do not use any pointy or rough objects to clean the trap. Only use recommended accessories and parts from the manufacturer. The use of foreign parts can significantly reduce the catch rate of the BG-Mosquitaire trap or even render it ineffective.

Changing the Catch Bag

The catch bag, along with the caught mosquitoes, should be disposed of when it is halfway full. At the latest the catch bag should be changed once the BG-Sweetscent attractant has ran out. It is important to change the catch bag, because it can become clogged with dust over time and decrease the catch rate of the BG-Mosquitaire.

1. Pull out the black intake funnel (1) with the catch bag halfway out of the trap.
2. Pull the catch bag (3) off of the black intake funnel (1) and the funnel net (2) and simultaneously pull the cord shut to close the catch bag [F12].
3. You can now dispose of the catch bag or evaluate what you have caught.
4. Remove the funnel net from the black intake tube and rinse with warm water to remove the dust.
5. Replace the funnel net and catch bag onto the intake funnel and place it back into the trap [F4-5].



F12

Why is the BG - Sweetscent Important?

The development of the patented BG-Sweetscent is a result of over 15 years of mosquito research at the University of Regensburg in Germany. It is comprised of three components that are found on the human skin, and it imitates the scent of a human body for the mosquitoes. The BG-Sweetscent enhances the catch rate of the BG-Mosquitaire trap specifically for tiger mosquitoes.

After opening the package, the BG-Sweetscent can be used for roughly eight weeks. After the eight weeks, the BG-Sweetscent must be replaced to ensure the effectiveness of the BG-Mosquitaire trap.

BG - Sweetscent™

The product is a pouch containing a proprietary formulation based on lactic acid which mimics human skin scent.

Persistence: up to 2 months.

To be used preferably in combination with Biogents mosquito traps.

Instructions: Store unopened package in a cool and dry place, away from food. Do not open packaging until the time of use. Remove the white pouch from the packaging and place it inside the mosquito trap. Do not open the white pouch.

Use only as directed. Wash hands after handling. Keep away from children. Dispose after use with household waste.

Retain this outer package for use and safety instructions.

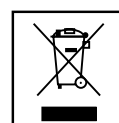
Net weight: 11 g.

Contains <1% lactic acid.

Read attached instructions before use.

Technical Data

Weight: 2.2 kg
Dimension: 30 x 37 cm
Ventilator: 12 V DC, 3.6 W
Switching power supply: AC Input 100 – 230 V,
Frequency 60 Hz/50 Hz,
DC Output 12 V 1A



ROHS[✓] CE

EC Declaration of Conformity

Product type: Mosquito trap
Product: BG-Mosquitaire™

The undersigned hereby declares, on behalf of Biogents AG company of Regensburg, Germany, that the above referenced product, to which this declaration relates, is in conformity with the provisions of:

- DIRECTIVE 2003/108/EC OF THE EUROPEAN PARLIAMENT AND OF THE COUNCIL of 8 December 2003 amending Directive 2002/96/EC on waste electrical and electronic equipment (WEEE);
- DIRECTIVE 2004/108/EC OF THE EUROPEAN PARLIAMENT AND OF THE COUNCIL of 15 December 2004 on the approximation of the laws of the Member States relating to electromagnetic compatibility;
- DIRECTIVE 2005/88/EC OF THE EUROPEAN PARLIAMENT AND OF THE COUNCIL of 14 December 2005 amending Directive 2000/14/EC on the approximation of the laws of the Member States relating to the noise emission in the environment by equipment for use outdoors;
- DIRECTIVE 2006/42/EC OF THE EUROPEAN PARLIAMENT AND OF THE COUNCIL of 17 May 2006 on machinery, and amending Directive 95/16/EC;
- DIRECTIVE 2006/95/EC OF THE EUROPEAN PARLIAMENT AND OF THE COUNCIL of 12 December 2006 on the harmonisation of the laws of Member States relating to electrical equipment designed for use within certain voltage limits;
- Directive 2008/35/EC of the European Parliament and of the Council of 11 March 2008 amending Directive 2002/95/EC on the restriction of the use of certain hazardous substances in electrical and electronic equipment as regards the implementing powers conferred on the Commission;
- DIRECTIVE 2009/125/EC OF THE EUROPEAN PARLIAMENT AND OF THE COUNCIL of 21 October 2009 establishing a framework for the setting of ecodesign requirements for energy-related products (recast).

The Technical Construction File required by this Directive is maintained at the corporate headquarters of Biogents AG, Weißenburgstr. 22 , 93055 Regensburg, Germany.

Regensburg, December 8, 2015

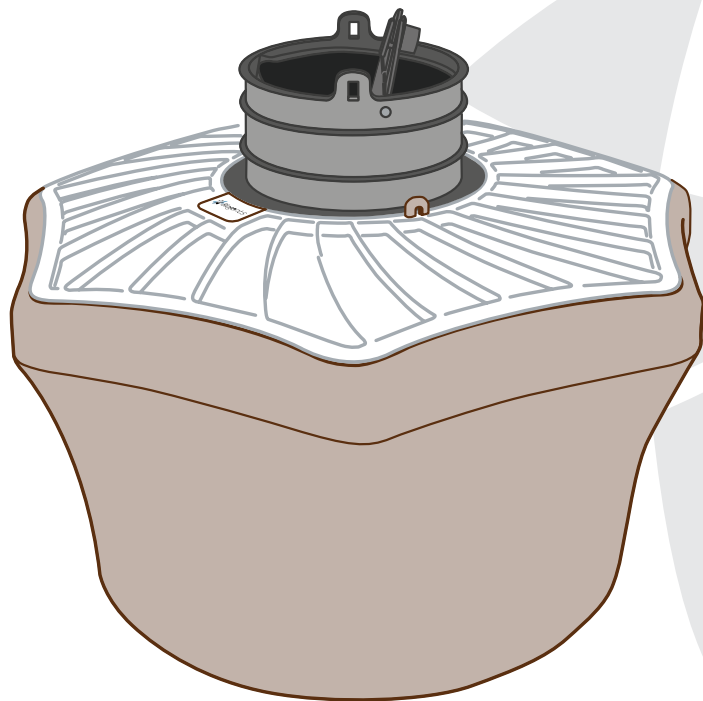
Handwritten signature of Andreas Rose in black ink.

Andreas Rose
(Director)

Handwritten signature of Martin Geier in black ink.

Martin Geier
(Director)

Biogents AG
Weißenburgstr. 22
93055 Regensburg
Germany
info@biogents.com



Trappola per la zanzara tigre

BG - Mosquitaire

Manuale d'uso

IT

Potete trovare gli aggiornamenti di questo manuale, il manuale in altre lingue e altri consigli utili su Biogents Mosquitaire all'indirizzo: www.biogents.com

Informazioni sulla sicurezza e avvertenze

- Leggere attentamente le istruzioni per l'uso prima di mettere in funzione l'apparecchiatura Biogents Mosquitaire (BG-Mosquitaire).
- Biogents Mosquitaire cattura essenzialmente le zanzare tigre e offre una protezione limitata contro le altre zanzare o gli altri insetti in grado di pungere. In caso di epidemia causata dalla zanzare tigre è comunque opportuno prendere altri provvedimenti, dato che un unico provvedimento non offre mai una protezione totale.
- Durante la manutenzione di BG-Mosquitaire e quando si controllano le zanzare catturate, indossare guanti di gomma e chiudere rapidamente la rete di cattura.
- ATTENZIONE: se acqua di irrigazione è diretta verso l'apparecchiatura, esiste il rischio di una scossa elettrica.
- Se si usa una prolunga tenere lontano la presa dall'umidità e evitare di danneggiare il cavo.
- L'apparecchiatura non va usata in presenza di gas infiammabili o polveri esplosive.
- L'apparecchio non è destinato ad essere utilizzato da persone (compresi i bambini) con ridotte capacità fisiche, mentali o sensoriali o con esperienza e/o competenze insufficienti, a meno che non siano sotto la supervisione di una persona responsabile della loro sicurezza.
- Tenere i bambini sotto supervisione per evitare che giochino con l'apparecchio.
- La trappola BG-Mosquitaire e la sostanza odorosa Biogents Sweetscent vanno tenuti fuori dalla portata dei bambini.
- Utilizzare esclusivamente i pezzi di ricambio e gli accessori consigliati dal produttore. L'uso di reti e garze diverse può ridurre il numero di zanzare catturate o azzerarlo completamente.
- Far riparare l'apparecchiatura BG-Mosquitaire esclusivamente da personale specializzato e qualificato e solo con pezzi di ricambio originali.
- Il trasformatore e il cavo flessibile collegato non possono essere riparati. Se si danneggiano vanno smaltiti come rifiuto elettronico in raccolta differenziata RAEE e sostituiti con ricambi originali.

Uso conforme

Biogents Mosquitaire è destinata alla cattura di zanzare tigre all'esterno e in casa in caso di fastidio causato da *Aedes aegypti* in zone tropicali. L'apparecchio deve essere protetto dall'acqua, dalla pioggia, dall'esposizione diretta al sole e del caldo (oltre i 40° C) e dal freddo (sotto i 5° C). Non usare BG-Mosquitaire in ambienti molto polverosi.

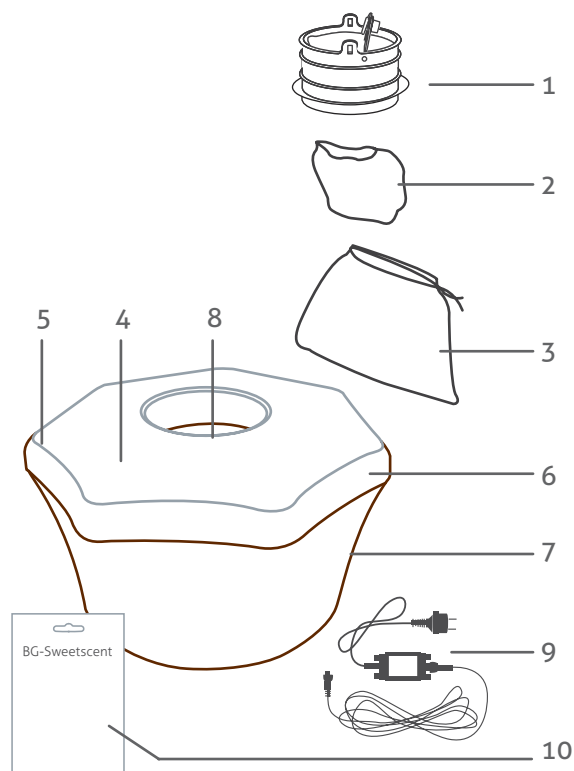
In caso di utilizzo non conforme e di alterazioni del prodotto, il produttore non si assume alcuna responsabilità. Attenersi inoltre a tutte le informazioni riportate nelle presenti istruzioni.

Cosa contiene la confezione - componenti dell'apparecchio

1. Imbuto aspiranzare con chiusura di sicurezza
2. Retina imbuto
3. Rete di cattura (2x)

Pezzi Preassemblati

4. Garza bianca luminescente
5. Parte superiore del coperchio
6. Parte inferiore del coperchio
7. Corpo dell'apparecchiatura
8. Tubo flessibile interno con tasca per la sostanza odorosa
9. Cavo esterno con trasformatore
10. Sostanza odorosa Biogents Sweetscent (BG-Sweetscent™)



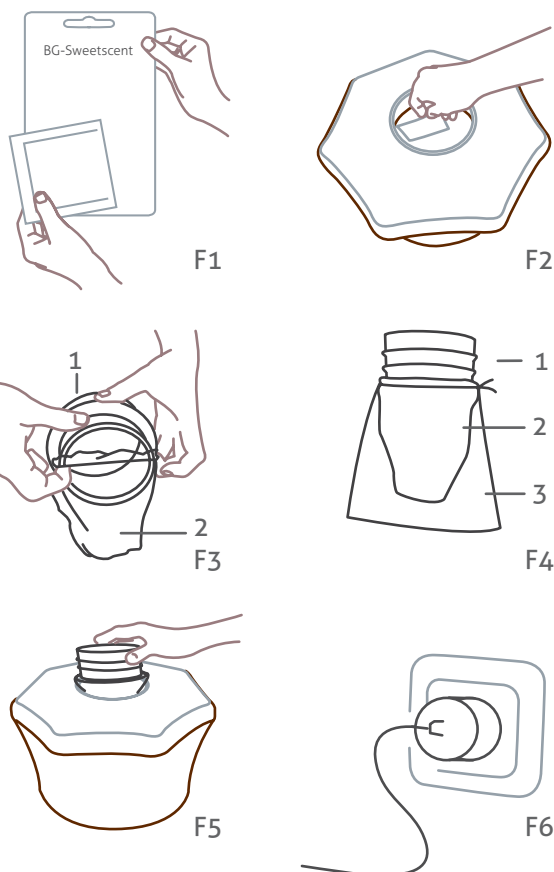
Montaggio

Primo passo: [F1] Aprire la confezione del BG-Sweetscent ed estrarre la busta bianca BG-Sweetscent. [F2] Inserire la busta bianca BG-Sweetscent nella piccola tasca nera presente all'interno del tubo di plastica flessibile.

Secondo passo: [F3] Applicare la retina ad imbuto (2) alla parte inferiore dell'imbuto aspiranzare (1). [F4] Infilare la retina dell'imbuto (2) nella rete di cattura (3). Fissare anche la rete di cattura (3) alle parte inferiore dell'imbuto aspiranzare(1).

Terzo passo: [F5] Inserire l'imbuto aspiranzare nell'apposita apertura con la rete all'interno dell'apparecchiatura.

Quarto passo: [F6] Collegare il trasformatore con la corrente.



Installazione della trappola: dove e quando?

L'ubicazione corretta della trappola è un fattore importante che influisce decisamente sull'efficacia della trappola. Una spiegazione come posizionare la trappola nel miglior modo si trova sul sito http://www.biogents.com/html/img/pool/Placement_and_effect_en.pdf

La trappola va posizionata all'esterno, dalla primavera all'autunno: temperatura media > 15° C.

Posizionare l'apparecchiatura al riparo **dall'esposizione diretta al sole, dal vento e dalla pioggia forte** [F7].

I risultati migliori si otterranno posizionando la trappola in posti umidi e **vicino ai luoghi di riproduzione o di riposo** [F8], per esempio in cespugli o sotto alberi, vicino a pozzanghere o contenitori di acqua piovana. La pioggia non ha nessun effetto sulla trappola.



In dettaglio:

Quando? Il periodo giusto per attivare la trappola:

La trappola andrebbe attivata quando le temperature esterne hanno superato i 15° C. Questo è il momento ideale per catturare le zanzare perché sono già attive ma non hanno ancora avuto la possibilità di riprodursi e di deporre le uova. È importante assicurarsi che la trappola lavori 24 ore su 24.

Dove? La posizione giusta:

Per individuare la zona migliore per la posizione della trappola è importante capire da dove provengano le zanzare. Di solito le zanzare si avvicinano da due direzioni:

1. **Luoghi di riproduzione:** Le zanzare depositano le uova in specchi d'acqua naturali e in contenitori artificiali. Da lì le giovani zanzare iniziano a cercare la loro prima preda. Luoghi di riproduzione possibili sono:
 - Contenitori d'acqua piovana, grondaie, copertoni vecchi, piccole cavità per esempio nei tronchi d'albero o nelle pietre.
 - Vasi da fiori, vasi per piante, sottovasi o contenitori simili
 - Biotopi umidi, pozzanghere (tutte le acque che non contengono piccoli pesci)
2. **Luoghi di riposo:** Le zanzare si riposano fra il fogliame fresco, per esempio nelle siepi oppure in altri luoghi umidi e non ventilati per evitare la disidratazione. Da lì le zanzare iniziano la caccia alle prede. Le zanzare preferiscono luoghi non assolati e non ventosi.

Tutte le parti superiori della trappola devono essere ben visibili per le zanzare, affinché le zanzare vengano attratte dal suo particolare aspetto.

Perciò è consigliabile di non posizionare la trappola sotto arbusti molto fitti [F9]. Va lasciato libero uno spazio di almeno 0,5m al di sopra della trappola [F10]. La riduzione dello spazio libero porterà ad un abbassamento della rata di cattura perché i segnali visivi e le correnti d'aria non verranno più percepiti ugualmente bene.



F9



F10

Riparo dalla pioggia forte:

Una posizione riparata, p.es. un in cespuglio non troppo folto [F10], sotto un albero oppure sotto un tetto, ha un effetto positivo sulla cattura. La pioggia leggera, come il gocciolare di un cespuglio bagnato, non influisce sul numero di zanzare catturate.

Ma la pioggia forte possono aversi vari effetti negativi che influiscono sul numero di zanzare catturate, sebbene la pioggia forte non danneggi la trappola:

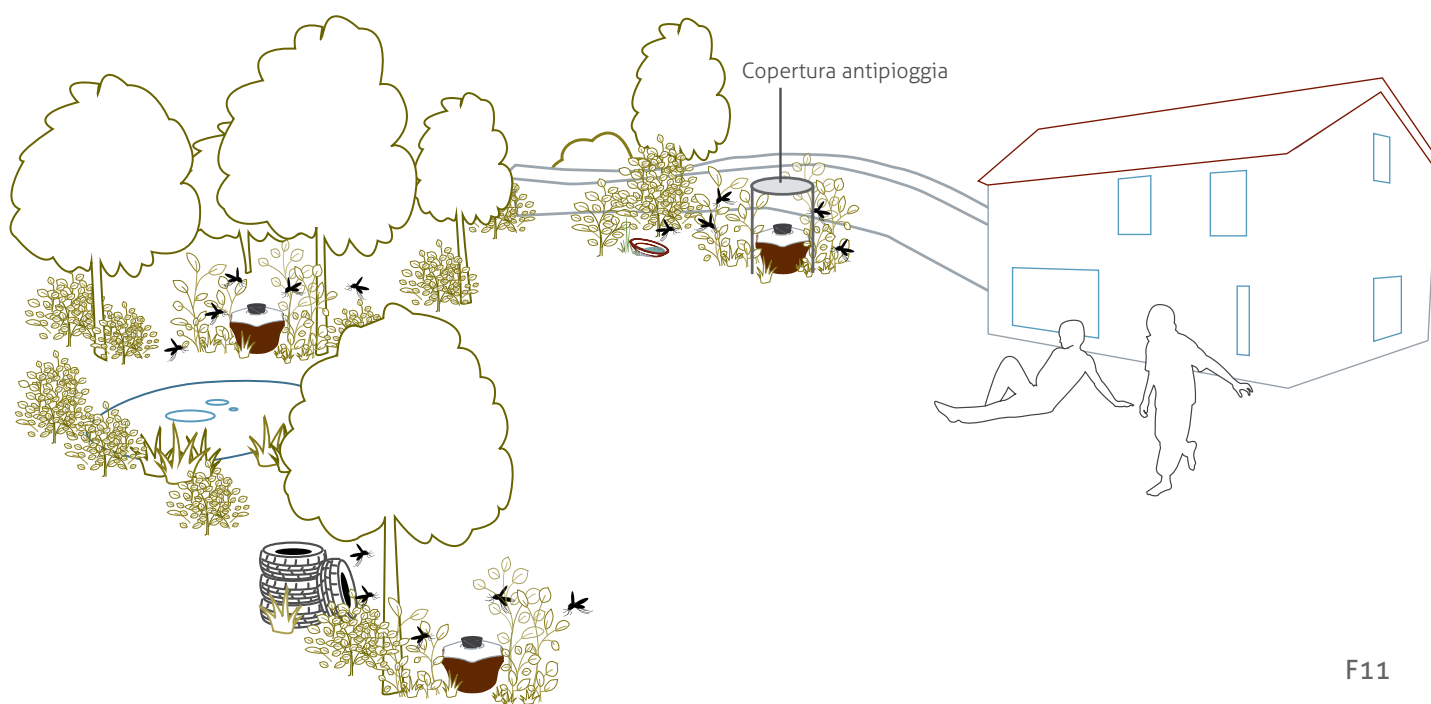
- La pioggia forte, otturando i pori della garza, può interrompere il flusso d'aria. Ciò causa una diminuzione della forza di risucchio del ventilatore. Perciò è bene assicurarsi che la trappola sia riparata dalla pioggia forte.
- Le zanzare evitano la pioggia e preferiscono luoghi riparati. In tali luoghi la rata di cattura, quindi, può essere più alta che altrove.

Se non è possibile trovare una posizione protetta naturalmente è consigliabile posizionare la trappola in un luogo coperto oppure creare una protezione per evitare che la trappola venga esposta alla pioggia.

Per proteggere la trappola dalla pioggia è importante attenersi alle seguenti indicazioni:

- Qualsiasi cosa che si trovi al di sopra della trappola deve mantenere un minimo di 0,5m di distanza dalla parte superiore della trappola. Distanze al di sotto di quella indicata comprometteranno l'effetto dei segnali visivi e delle correnti d'aria riducendo la rata di cattura.
- Assicurarsi che uno spazio adeguatamente ampio ripari la trappola da tutte le parti dalla pioggia.
- Assicurarsi che il riparo sia stabile e durevole.

La figura sottostante [F11] mostra possibili posizionamenti della trappola BG-Mosquitaire in luoghi di riproduzione delle zanzare, luoghi di riposo e intorno alla casa. Si raccomanda di posizionare la trappola in modo tale da non inciampare sul cavo della corrente.



F11

Controllare regolarmente le catture delle zanzare

Controllare le zanzare catturate 3 giorni dopo la prima installazione. Se i 3 giorni sono stati caratterizzati da piogge forti o prolungate, le zanzare non si saranno mosse. In questo caso, rimandare il primo controllo. Prolungare il periodo tra un controllo e l'altro anche in primavera e in autunno, quando le temperature medie sono inferiori ai 20° C (da 3 a 5 giorni). Si consiglia di verificare regolarmente quante zanzare sono state catturate in modo da spostare la trappola se necessario.

IL CORRETTO POSIZIONAMENTO DELL'APPARECCHIATURA E' FONDAMENTALE PER OTTENERE IL MASSIMO DELLE CATTURE.

Le zanzare catturate muoiono per disidratazione dopo 24-48 ore. È quindi normale che all'interno della rete di cattura si notino zanzare vive.

Se, in presenza di zanzare tigre, dopo alcuni giorni di apparecchiatura accesa, sollevando l'imbuto aspiranzare non si notano numerose zanzare all'interno della rete di cattura, significa che il punto scelto per il posizionamento non è adatto. Spostare l'apparecchiatura in altri punti dell'area da proteggere e ripetere la prova fino ad individuare la migliore delle posizioni. Trovato il punto adatto, BG-Mosquitaire è in grado di catturare una percentuale alta delle zanzare tigre femmine presenti nell'area.

Cura e manutenzione

Quando si effettua qualsiasi intervento su BG-Mosquitaire e si controllano le zanzare catturate occorre indossare guanti di gomma e chiudere immediatamente la rete dell'imbuto. In questo modo, le zanzare catturate che sono ancora vive non possono scappare né pungere attraverso la rete.

Per la pulizia, usare un panno umido. Non usare detergenti, solventi o insetticidi in quanto hanno un effetto repellente

sulle zanzare e quindi riducono l'efficacia della trappola. Inoltre, non usare oggetti ruvidi o appuntiti per pulire BG-Mosquitaire.

Usare esclusivamente i pezzi di ricambio e gli accessori consigliati dal produttore. L'uso di altri componenti può ridurre o addirittura azzerare la quantità di zanzare catturate da BG-Mosquitaire.

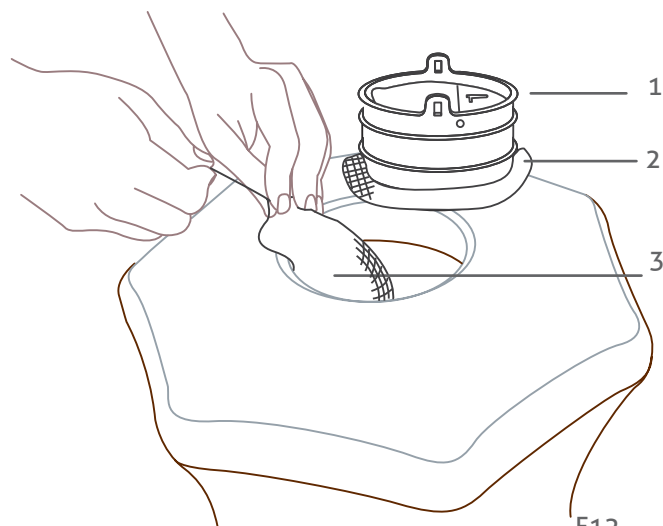
Sostituzione della rete di cattura

Sostituire la rete di cattura insieme alle zanzare tigre catturate quando è piena a metà. Sostituirla al più tardi quando l'effetto della sostanza odorosa BG-Sweetscent si è esaurito (8 settimane), dato che con il tempo la rete di cattura si sporca a causa della polvere e quindi riduce l'efficacia di BG-Mosquitaire.

Assieme alla ricarica della sostanza odorosa BG-Sweetscent ed alle reti di cattura, si trova la garza bianca posta sulla parte superiore dell'apparecchio. È molto importante sostituire ogni due mesi la garza bianca perché la luminosità della garza bianca pulita, in contrasto con il tubo nero aspira zanzare, aumenta la capacità di cattura dell'apparecchio BG-Mosquitaire.

1. Con l'apparecchiatura ancora in funzione, inserire la mano nel tubo nero di plastica (1) e sollevare leggermente la rete ad imbuto fino a chiudere il foro di ingresso delle zanzare.
2. Sotto al tubo nero di plastica si trova la rete di cattura con le zanzare all'interno. Sfilare e staccare la rete di cattura (3) dall'imbuto nero di plastica e retina imbuto (2) e tirare le codicelle per chiudere il sacchetto [F12].

3. Quando il sacchetto della rete di cattura è chiuso, smaltire il sacchetto stesso come rifiuto solido urbano dopo aver valutato il numero approssimativo di zanzare catturate.
4. Inserire il nuovo sacchetto della rete di cattura intorno alla retina imbuto, verificare la corretta posizionamento della retina imbuto all'interno della rete di cattura [F4-5] e riposizionare l'imbuto aspiranzare nella sua sede.



Perché la sostanza odorosa BG - Sweetscent è così importante?

Lo sviluppo della sostanza odorosa brevettata BG-Sweetscent è il risultato di 15 anni di ricerche sulle zanzare condotte presso l'università di Ratisbona (Germania). Contiene tre componenti presenti anche sulla pelle umana e imita quindi, per le zanzare, l'odore del corpo umano. Per questo, BG-Sweetscent accresce l'efficacia della trappola.

Dopo avere aperto la confezione, la sostanza odorosa BG-Sweetscent può essere usata per circa 8 settimane. Trascorso questo periodo è necessario sostituirla per garantire l'efficacia della trappola BG- Mosquitaire.

BG - Sweetscent™

Il prodotto è una borsetta che contiene una formula brevettata basata su acido lattico che imita l'odore della pelle umana.

Durata: fino a 2 mesi.

Da usare preferibilmente in combinazione con trappole per zanzare Biogents.

Istruzioni per l'uso: Conservare le confezioni chiuse in un luogo fresco, asciutto, e tenerle lontane da prodotti alimentari. Non aprire la confezione fino al momento dell'uso. Estrarre il sacchetto bianco dalla confezione e inserirlo nella trappola per zanzare. Non aprire il sacchetto bianco.

Usare solo come indicato nelle istruzioni. Lavare le mani dopo l'uso.

Conservare l'imballaggio in modo da poter consultare le istruzioni. Eliminare con i rifiuti domestici.

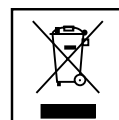
Peso netto: 11 g.

Contiene <1% de l'acido lattico

Leggere le avvertenze sulla confezione prima dell'uso.

Dati tecnici

Peso: 2,2 kg
Tolleranza: 30 x 37 cm
Ventilatore: 12 V DC, 3.6 Watt
Cambio di alimentazione: AC Input 100 – 230 V,
Frequenza: 60 Hz/50 Hz,
DC Output 12 V 1 A



ROHS[✓] CE

Dichiarazione di conformità CE

Tipo di prodotto: Apparecchiatura per la cattura delle zanzare tigre
Prodotto: BG-Mosquitaire™

La Biogents AG (Regensburg, Germania) dichiara che il prodotto sopra menzionato è conforme alle direttive:

- DIRETTIVA 2006/42/CE DEL PARLAMENTO EUROPEO E DEL CONSIGLIO del 17 maggio 2006 relativa alle macchine e che modifica la direttiva 95/16/CE (rifusione);
- DIRETTIVA 2005/88/CE DEL PARLAMENTO EUROPEO E DEL CONSIGLIO del 14 dicembre 2005 che modifica la direttiva 2000/14/CE sul ravvicinamento delle legislazioni degli Stati membri concernenti l'emissione acustica ambientale delle macchine ed attrezzature destinate a funzionare all'aperto;
- DIRETTIVA 2008/35/CE DEL PARLAMENTO EUROPEO E DEL CONSIGLIO dell'11 marzo 2008 che modifica la direttiva 2002/95/CE sulla restrizione dell'uso di determinate sostanze pericolose nelle apparecchiature elettriche ed elettroniche, per quanto riguarda le competenze di esecuzione conferite alla Commissione;
- DIRETTIVA 2003/108/CE DEL PARLAMENTO EUROPEO E DEL CONSIGLIO dell'8 dicembre 2003 che modifica la direttiva 2002/96/CE sui rifiuti di apparecchiature elettriche ed elettroniche (RAEE);
- DIRETTIVA 2004/108/CE DEL PARLAMENTO EUROPEO E DEL CONSIGLIO del 15 dicembre 2004 concernente il ravvicinamento delle legislazioni degli Stati membri relative alla compatibilità elettromagnetica e che abroga la direttiva 89/336/CEE;
- DIRETTIVA 2006/95/CE DEL PARLAMENTO EUROPEO E DEL CONSIGLIO del 12 dicembre 2006 concernente il ravvicinamento delle legislazioni degli Stati membri relative al materiale elettrico destinato ad essere adoperato entro taluni limiti di tensione;
- DIRETTIVA 2009/125/CE DEL PARLAMENTO EUROPEO E DEL CONSIGLIO del 21 ottobre 2009 relativa all'istituzione di un quadro per l'elaborazione di specifiche per la progettazione ecocompatibile dei prodotti connessi all'energia (rifusione).

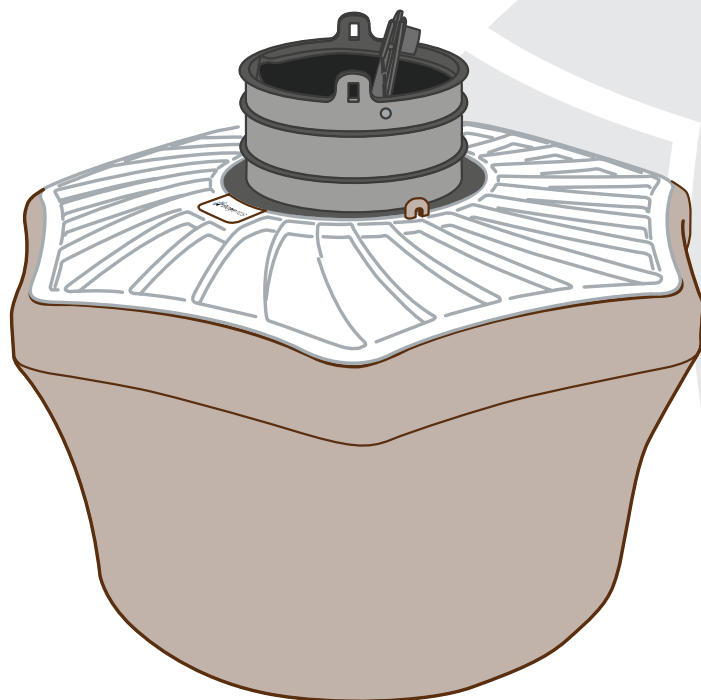
La scheda tecnica richiesta da questa direttiva si trova presso la sede principale della Biogents AG Weißenburgstr. 22, 93055 Regensburg, Germania.

Regensburg, li 8 dicembre, 2015

Andreas Rose
(Consigliere direttivo)

Martin Geier
(Consigliere direttivo)

Biogents AG
Weißenburgstr. 22
93055 Regensburg
Germania
info@biogents.com



Biogents

Lutte contre les moustiques

Piège à moustiques tigres

BG - Mosquitaire

Manuel d'instruction



Les mises à jour du manuel sont disponibles sur notre page internet : www.biogents.com

Avertissement – Consignes de sécurité importantes

- Lire soigneusement les instructions avant de mettre en marche le piège Biogents Mosquitaire (BG-Mosquitaire).
- Le piège BG-Mosquitaire capture principalement les moustiques tigres. Cependant, il n'offre qu'une protection minimale contre les autres insectes hématophages. En cas d'épidémie causée par des moustiques tigres, il est conseillé d'utiliser également d'autres moyens de protection. Le piège seul ne peut garantir une protection à 100%.
- Pour la maintenance du piège et le contrôle de son taux de capture, porter des gants de ménage et refermer correctement le sac de capture pour éviter que les moustiques ne s'échappent.
- ATTENTION ! Risque d'électrocution si le jet d'eau d'un tuyau d'arrosage est orienté sur l'appareil.
- L'appareil ne doit pas être mis en service à proximité de vapeurs inflammables ou explosives.
- L'appareil ne doit pas être utilisé, sans surveillance, par des personnes (y compris des enfants) aux capacités physiques, sensorielles ou mentales réduites, ou manquant d'expérience ou de connaissance, sauf si une personne responsable de leur sécurité leur a expliqué comment l'utiliser.
- Le BG-Mosquitaire n'est pas un jouet. Surveillez vos enfants afin qu'ils ne jouent pas avec l'appareil.
- Le piège BG-Mosquitaire et le BG-Sweetscent doivent être gardés hors de portée des enfants.
- Utiliser uniquement les accessoires et pièces de rechanges recommandés par le fabricant. L'utilisation d'autres filets ou gazes peut réduire considérablement le taux de capture ou même rendre le piège inopérant.
- Seuls des spécialistes utilisant des pièces d'origine peuvent intervenir ou réparer le piège BG-Mosquitaire.
- L'adaptateur d'alimentation et le câble ne peuvent pas être réparés. S'ils sont abîmés ils doivent être jetés, triés de manière appropriée et remplacés.

Utilisation et réglages appropriés

Le piège BG-Mosquitaire est conçu pour capturer les moustiques tigres à l'extérieur, dans votre jardin ou sur votre terrasse (en intérieur pour *Aedes aegypti* en zones tropicales). Il doit être protégé des fortes pluies, de l'exposition directe au soleil et ne doit pas être placé dans un endroit susceptible d'être inondé. Le piège ainsi que le transformateur doivent être protégés d'une chaleur intense (supérieure à 40° C) ainsi que du froid extrême (inférieure à 5° C).

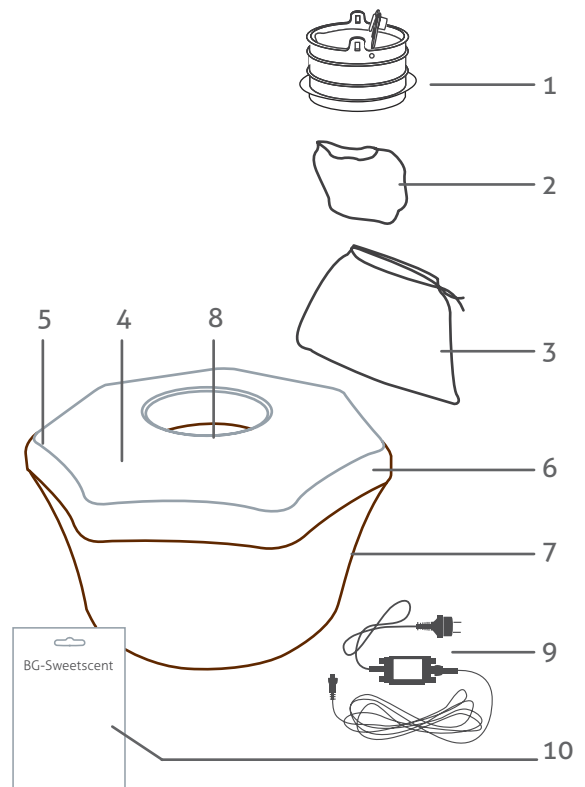
Ne pas utiliser le BG-Mosquitaire dans des endroits très poussiéreux: la poussière est susceptible de boucher le filet et la gaze, ce qui empêcherait la circulation de l'air. Le fabricant ne pourra en aucun cas être tenu pour responsable des dommages causés par une utilisation incorrecte ou dans le cas d'une modification effectuée sur le produit. Nous vous recommandons de vous référer systématiquement aux informations contenues dans le manuel d'instruction.

Contenu de l'emballage

1. Bouche d'entrée d'air avec clapet (de fermeture)
2. Filet d'entrée d'air / filet sécurité
3. Sac de capture (2x)

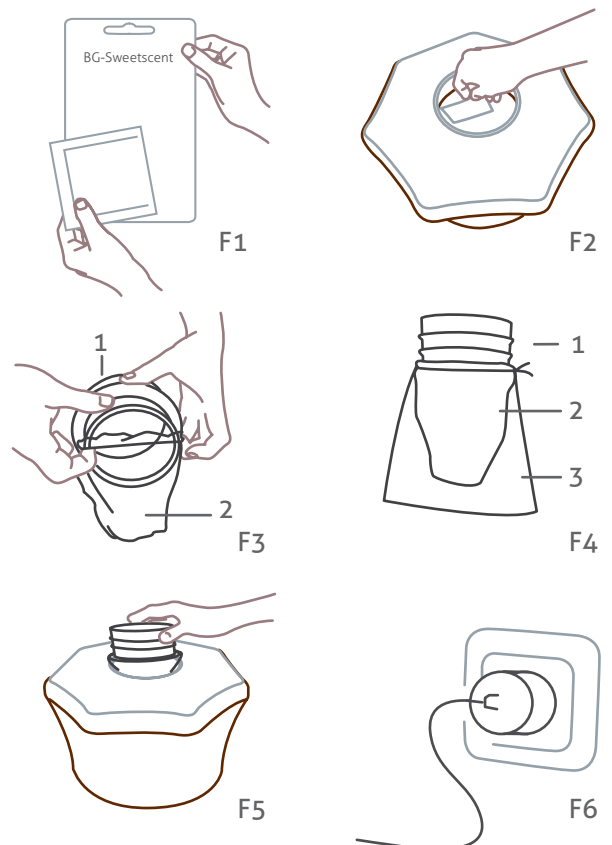
Corps préassemblé

4. Couverture en gaze
5. Partie haute du couvercle
6. Partie basse du couvercle
7. Corps du piège
8. Tube interne avec ventilateur
9. Câble d'alimentation extérieur avec transformateur
10. Sachet odorant BiogentsSweetscent™ (BG-Sweetscent™)



Assemblage du produit

1. Ouvrir l'emballage aluminium du BG-Sweetscent et prendre le sachet odorant blanc [F1]. Placer le BG-Sweetscent dans la pochette noire qui se trouve dans le tube interne [F2].
2. Placer le filet d'entrée d'air (2) autour de la partie inférieure de la bouche d'entrée d'air (1) [F3]. Ensuite, placer le sac de capture (3) par-dessus le filet d'entrée d'air (2). Resserrer le sac de capture (3) de façon à ce que le fond du sac soit à environ 2 cm sous le niveau du filet d'entrée d'air (2) [F4].
3. Placer la bouche d'entrée d'air avec le filet d'entrée d'air et le sac de capture [F4] dans l'ouverture en haut du couvercle [F5].
4. Brancher le transformateur (9) dans une prise sécurisée étanche [F6].



Positionnement du piège : où et quand ?

Le bon positionnement du piège a une influence cruciale sur le succès de la démoustication. Vous trouverez une description détaillée pour bien positionner votre piège sur internet:

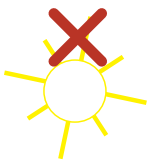
http://www.biogents.com/html/img/pool/Placement_and_effect_en.pdf

Généralités:

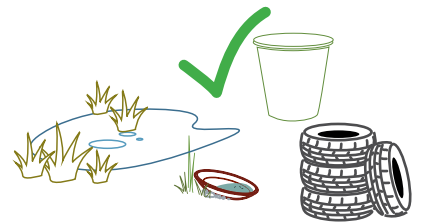
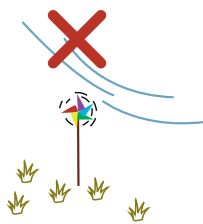
Le piège doit fonctionner en extérieur du printemps jusqu'à l'automne: dès que la température moyenne atteint 15° C.

Positionner le piège à un endroit protégé de l'exposition directe aux rayons du soleil, du vent et des fortes pluies [F7].

Pour obtenir les meilleurs résultats possibles, placer le piège à l'ombre, dans un lieu humide proche des gîtes de reproduction ou/et zones de repos des moustiques [F8], par exemple dans une haie ou sous un arbre, proche de réservoirs d'eau. Le piège ne craint pas la pluie modérée.



F7



F8

En détail:

Quand ? La période idéale pour actionner le piège:

Le piège peut être utilisé dès que la température moyenne dépasse 15° C. C'est à ce moment que les moustiques adultes deviennent actifs. Le but est de capturer les moustiques avant qu'ils aient eu la chance de se reproduire et de pondre leurs œufs. Il est important de veiller à ce que le piège fonctionne 24 heures sur 24.

Où ? Le bon emplacement :

Pour placer votre piège BG-Mosquitaire à un endroit stratégique, vous devez connaître la provenance des moustiques tigre. Il y a deux possibilités :

1. Les moustiques proviennent de leurs gîtes de reproduction, ils pondent leurs œufs dans les eaux stagnantes naturelles ou artificielles d'où ils émergent et commencent immédiatement à chercher leur première proie. Pour cela il est important d'identifier les gîtes de reproduction aux alentours ; cela peut être :
 - les réservoirs d'eaux de pluie, les caniveaux, les troncs d'arbres creux, les rochers ou autres contenants
 - les pots de fleurs et leurs soucoupes, les vases et autres récipients similaires
 - les habitats humides et des flaques d'eau (sauf si présence de poissons)
2. Les moustiques peuvent vous envahir également depuis leur lieu de repos : les moustiques s'abritent et se reposent dans le feuillage (par exemple dans les haies) ou autres endroits ombragés, à l'abri du vent et humides pour limiter la perte d'eau. C'est aussi à partir de ces zones protégées que les moustiques partent à la recherche de leurs proies. Les moustiques évitent les endroits exposés au soleil ou au vent.

Le dessus du piège a été conçu spécialement pour attirer les moustiques, par conséquent, il doit rester totalement visible par les moustiques. De ce fait, ne placez pas le piège sous d'épais buissons [F9]. Laissez un espace d'au moins 0,5 mètres de libre au-dessus du piège [F10]. Une visibilité réduite du dessus du piège rend les signaux visuels et le flux d'air inefficaces et réduit considérablement l'efficacité du piège.



F9



F10

Protéger le piège des fortes pluies :

Un emplacement ombragé [F10], sous un arbre ou sous abri a un effet positif sur le taux de capture. La pluie sous la végétation n'influence pas le taux de capture.

Même si le piège est exposé à de fortes pluies, il ne sera pas endommagé, ceci aura simplement un effet négatif sur le taux de capture et ce jusqu'à ce que le piège sèche :

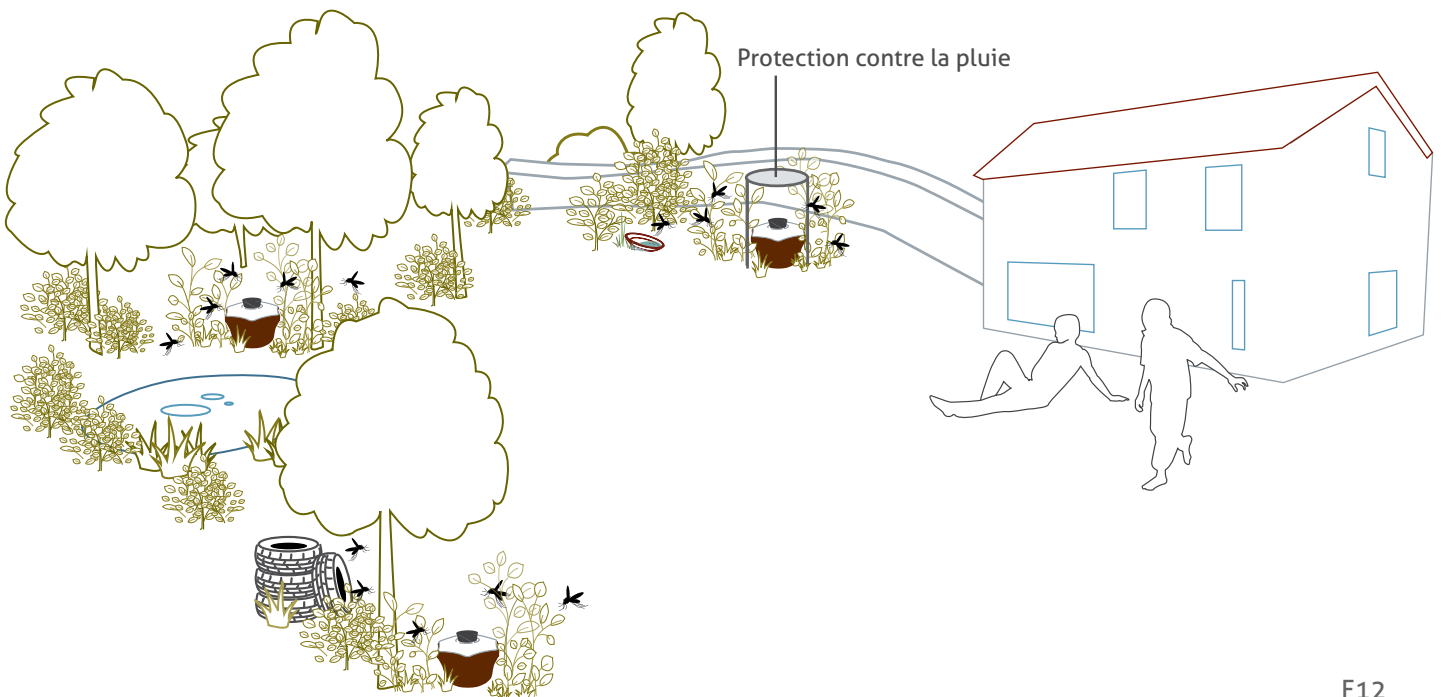
- Les moustiques évitent en effet la pluie et préfèrent les endroits abrités. Le taux de capture sera plus important si l'emplacement est protégé de la pluie.
- La pluie obstrue les pores du couvercle du piège, ce qui résuit momentanément l'effet de succion du ventilateur.

Si vous ne trouvez pas d'abri naturel pour le piège, vous pouvez le placer sous un préau ou un abri fait-maison qui le protégera de la pluie.

Attention : suivez les consignes suivantes pour mettre votre piège à l'abri de la pluie :

- Quel que soit ce que vous utilisez pour protéger le piège, la distance de 0,5 mètres au-dessus du piège doit impérativement être conservée. Un espace moindre rendrait les signaux visuels du piège et ses flux d'airs inopérants.
- Assurez-vous que votre abri couvre suffisamment le piège afin que la pluie ne puisse pas entrer de côté.
- Assurez-vous que votre abri soit stable et résistant.

Le schéma ci-dessous [F12] montre différents emplacements possibles pour le BG-Mosquitaire entre gîte de reproduction, aires de repos et habitations. Veuillez placer le piège de façon à ce que personne ne puisse se prendre les pieds dans le câble électrique.



F12

Vérification du fonctionnement et du positionnement

Trois jours après la mise en service du piège, contrôler le sac de capture pour savoir combien de moustiques ont été capturés. Si la météo a été mauvaise (pluie, vents forts) il y a peu de chance que les moustiques aient été actifs. Dans ce cas, prolonger la période entre les contrôles. Idem au printemps et à l'automne où la température moyenne ne dépasse pas 20° C.

Évaluer les résultats de capture : Enlever correctement le sac de capture, puis le mettre dans le congélateur pour environ 2

à 3 heures afin de tuer les moustiques ou bien laisser le sac en plein soleil, les moustiques mourront déshydratés. Vider ensuite le contenu du sac de capture et compter le nombre de moustiques capturés.

Il est recommandé de contrôler régulièrement l'efficacité du piège pour être capable de bien le régler ou de changer sa position.

Maintenance et entretien

Pour toute manipulation sur le BG-Mosquitaire ainsi que pour la vérification des résultats de capture, porter des gants de ménage et veiller à fermer et enlever correctement le sac de capture. Cela est indispensable pour s'assurer que les moustiques capturés encore vivants ne puissent ni s'échapper ni vous piquer au travers du filet.

Utiliser un chiffon humide pour nettoyer le plastique du piège. Ne pas utiliser de produits de nettoyage, de solvants

ou d'insecticides. Les résidus de ces produits ont un effet répulsif sur les moustiques et diminuent par conséquent les captures. Ne surtout pas utiliser d'objets pointus ou abrasifs pour le nettoyage du piège BG-Mosquitaire.

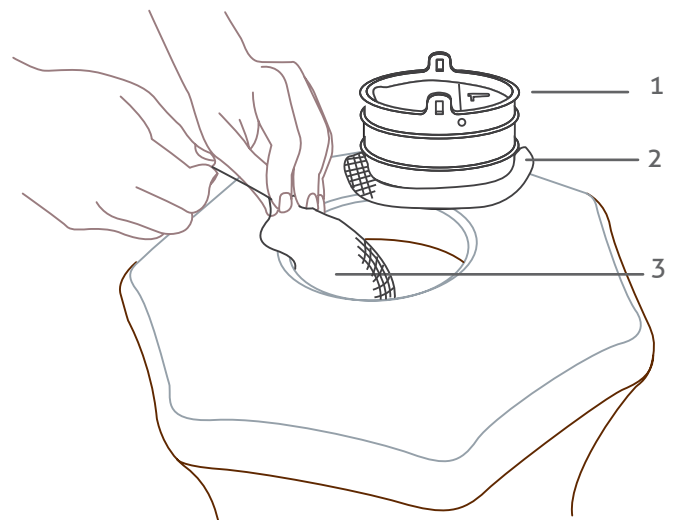
Merci d'utiliser uniquement les pièces et accessoires fournis par le fabricant. L'utilisation de pièces étrangères peut réduire significativement le taux de capture du BG-Mosquitaire ou le rendre complètement inopérant.

Changer le sac de capture

Le sac de capture doit être vidé de son contenu dès qu'il est à moitié rempli. Il est important de vérifier et changer régulièrement le sac. Ce dernier doit être changé au plus tard une fois que le BG-Sweetscent n'est plus efficace. Avec le temps, la poussière peut le boucher et faire baisser le taux de capture du piège BG-Mosquitaire.

1. Retirer la bouche d'entrée d'air noire (1) avec le filet.
2. Simultanément, détacher et maintenir le sac de capture (3) dans le tube interne (le ventilateur retient les moustiques dans le sac) et tirer sur l'élastique pour fermer le sac [F12].
3. Vous pouvez maintenant mettre de côté le sac de capture et évaluer ce que vous avez capturé.
4. Enlever le filet d'entrée d'air et rincez-le avec de l'eau chaude pour enlever la poussière.

5. Remplacer le filet d'entrée d'air propre autour de la bouche d'entrée d'air et placez un nouveau sac de capture vide par-dessus. Remplacer le tout sur le piège [F4-5].



Pourquoi le BG-Sweetscent est-il si important ?

Le développement du sachet odorant breveté BG-Sweetscent est le résultat de plus de 15 ans de recherche sur les moustiques à l'université de Regensburg (Ratisbonne) en Allemagne. Il est constitué de trois composants différents qui se trouvent naturellement dans la peau humaine et imitent l'odeur du corps humain. Le BG-Sweetscent augmente le taux de capture du piège, spécialement envers le moustique tigre.

Après ouverture de l'emballage, le BG-Sweetscent peut être utilisé pendant environ 8 semaines. Après ce délai, il doit être remplacé afin d'assurer l'efficacité du piège BG-Mosquitaire. Vous pouvez vous réapprovisionner en BG-Sweetscent dans notre webshop: <http://www.mosquitotraps.eu>.

BG - Sweetscent™

Le produit est un sachet contenant une formulation brevetée à base d'acide lactique imitant l'odeur de la peau humaine.

Durée de vie: jusqu'à 2 mois.

A utiliser de préférence avec les pièges à moustiques d'intérieur Biogents.

Mode d'emploi: A stocker dans son emballage aluminium intact dans un endroit sec et frais, sans contact avec de la nourriture. Ne pas ouvrir l'emballage avant l'utilisation proprement dite. Retirer le petit sachet de son emballage aluminium et le placer (sans l'ouvrir) dans le piège à moustiques.

A utiliser uniquement selon la notice. Lavez-vous les mains après manipulation.

Tenir hors de portée des enfants. A jeter avec les déchets ménagers. Conserver l'emballage pour consultation ultérieure.

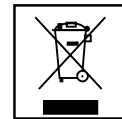
Poids net: 11 g.

Contient <1% de l'acide lactique.

Bien lire les instructions avant utilisation.

Données techniques

Poids : 2,2 kg
Dimension: 30 x 37 cm
Ventilateur: 12 V DC, 3.6 Watt
Alimentation: AC Input 100 – 230 V,
Fréquence: 60 Hz/50 Hz,
DC Output 12 V 1 A



ROHS[✓] CE

Déclaration CE de Conformité

Type de produit : Piège à moustiques
Produit : BG-Mosquitaire™

Par la présente, nous, Biogents AG (Regensburg, Allemagne), déclarons que le produit désigné ci-dessus est conforme aux spécifications suivantes:

- DIRECTIVE 2003/108/CE DU PARLEMENT EUROPÉEN ET DU CONSEIL du 8 décembre 2003 modifiant la directive 2002/96/CE relative aux déchets d'équipements électriques et électroniques (DEEE);
- DIRECTIVE 2004/108/CE DU PARLEMENT EUROPÉEN ET DU CONSEIL du 15 décembre 2004 relative au rapprochement des législations des États membres concernant la compatibilité électromagnétique et abrogeant la directive 89/336/CEE;
- DIRECTIVE 2005/88/CE DU PARLEMENT EUROPÉEN ET DU CONSEIL du 14 décembre 2005 modifiant la directive 2000/14/CE concernant le rapprochement des législations des États membres relatives aux émissions sonores dans l'environnement des matériaux destinés à être utilisés à l'extérieur des bâtiments;
- DIRECTIVE 2006/ 2/CE DU PARLEMENT EUROPÉEN ET DU CONSEIL du 17 mai 2006 relative aux machines et modifiant la directive 95/16/CE (refonte);
- DIRECTIVE 2006/95/CE DU PARLEMENT EUROPÉEN ET DU CONSEIL du 12 décembre 2006 concernant le rapprochement des législations des États membres relatives au matériel électrique destiné à être employé dans certaines limites de tension;
- DIRECTIVE 2008/35/CE DU PARLEMENT EUROPÉEN ET DU CONSEIL du 11 mars 2008 modifiant la directive 2002/95/CE relative à la limitation de l'utilisation de certaines substances dangereuses dans les équipements électriques et électroniques, en ce qui concerne les compétences d'exécution conférées à la Commission;
- DIRECTIVE 2009/125/CE DU PARLEMENT EUROPÉEN ET DU CONSEIL du 21 octobre 2009 établissant un cadre pour la fixation d'exigences en matière d'écoconception applicables aux produits liés à l'énergie (refonte).

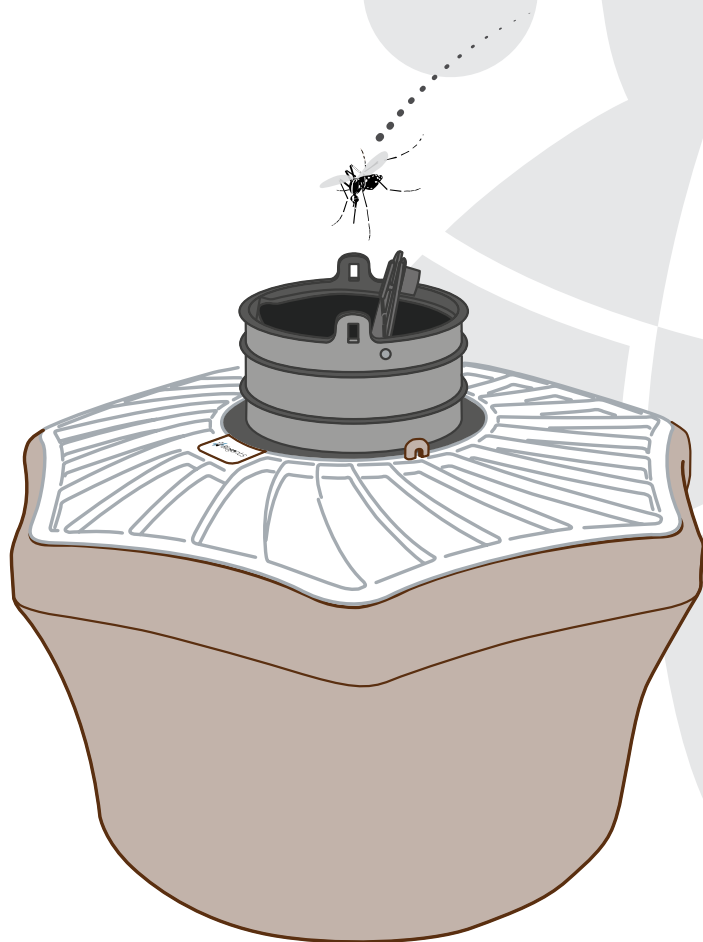
Le dossier de construction technique requis par cette directive est conservé au siège principal de la société Biogents AG, Weißenburgstr. 22, 93055 Regensburg, Allemagne.

Regensburg, le 8 décembre 2015

Andreas Rose
(Directeur)

Martin Geier
(Directeur)

Biogents AG
Weißenburgstr. 22
93055 Regensburg
Allemagne
info@biogents.com



Trampa para mosquito tigre

Biogents - Mosquitaire

Manual de instrucciones

ES

Actualizaciones del manual se pueden encontrar en la web: www.biogents.com

Instrucciones de seguridad y advertencias

- Lea cuidadosamente las instrucciones para el uso del Biogents Mosquitaire (BG-Mosquitaire).
- El BG-Mosquitaire atrapa los mosquitos tigre considerablemente bien; sin embargo, ofrece la protección mínima contra otros insectos que succionan sangre. En caso de una epidemia que sea causada por los mosquitos tigre, usted debe tomar otras medidas protectoras puesto que usar la trampa solamente no ofrece un 100% de protección.
- Para el mantenimiento de la trampa y el control de la captura de insectos, utilice guantes y la bolsa de captura debe quitarse correctamente para evitar que se escapen los mosquitos.
- **ADVERTENCIA:** Un peligro de descarga eléctrica puede existir si el agua de una manguera de jardín se dirige a la trampa de insectos.
- En caso de usar un alargador, mantenga el alimentador conectado al alargador aislado de la humedad y el agua.
- La trampa no debe ser utilizada en lugares donde haya gases inflamables.
- No se aconseja el uso de este dispositivo por personas (incluso niños) con capacidades físicas, sensoriales o mentales reducidas, sin experiencia ni conocimiento, salvo bajo la supervisión de una persona responsable de su seguridad.
- Los niños deben ser supervisados para asegurarse de que no juegan con la trampa. No debe dejarse al alcance de los niños.
- La trampa BG-Mosquitaire y la sustancia olorosa Biogents Sweetscent deben mantenerse fuera del alcance de los niños.
- Utilice solamente los accesorios y los recambios que son recomendados por el fabricante. El uso de otras sustancias olorosas, redes, telas circulares protectoras con la trampa pueden reducir el rendimiento en la captura o incluso ser ineficaces.
- Permita solamente que los especialistas cualificados con las piezas originales reparen la trampa BG-Mosquitaire.
- La fuente de alimentación y su cable flexible no pueden ser reparados. Si se daña deberá sustituirse.

Asegúrese de las aplicaciones y de las regulaciones

La trampa BG-Mosquitaire es para capturar mosquitos tigre fuera y dentro de casa en caso de molestias por *Aedes aegypti* en zonas tropicales. Necesita ser protegida contra la lluvia, exposición directa al sol, y debe ser colocada en un área donde no será sumergida en agua. La trampa y el enchufe necesitan ser protegidos contra el calor intenso (sobre 40° C) y frío extremo (debajo de 5° C). El BG-Mosquitaire no

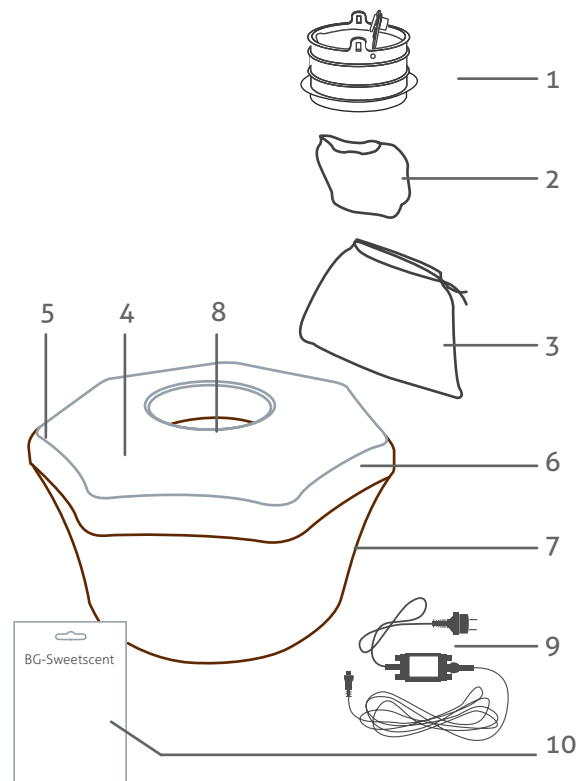
se debe utilizar en zonas polvorrientas, pues el polvo puede obstruir las redes y la tela circular protectora obstruyendo las corrientes de aire. El fabricante no se hace responsable, en todo caso, si el producto se utiliza incorrectamente o si algunas variaciones se hacen al producto. Preste por favor atención a toda la información que contenga el manual de instrucciones.

Componentes del producto

1. Embudo de succión con obturador
2. Red del embudo
3. Bolsa de captura (2x)

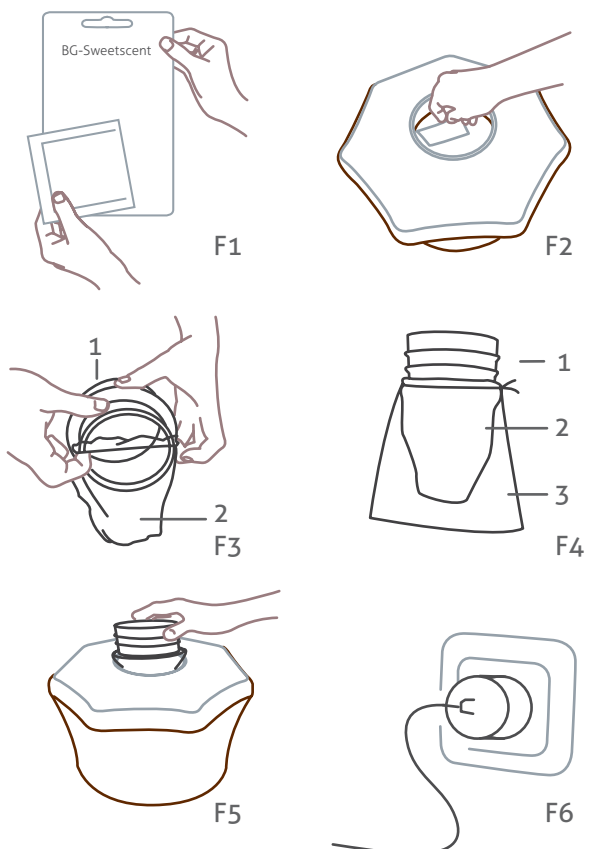
Cuerpo premontado

4. Tela circular protectora
5. Parte superior de la tapa
6. Parte inferior de la tapa
7. Cuerpo de la trampa
8. Tubo interno con el ventilador
9. Cable eléctrico externo con el alimentador
10. Sustancia olorosa Biogents Sweetscent™ (BG-Sweetscent™)



Montaje de la trampa

1. Abra el paquete de BG-Sweetscent y saque de su interior el sobre blanco de BG-Sweetscent [F1]. Coloque el BG-Sweetscent en la bolsa negra situada en la pared interior del tubo interno [F2].
2. Ponga la red del embudo (2) alrededor de la parte inferior (la más estrecha) de la boca de entrada de aire [F3]. Entonces coloque la bolsa de captura (3) sobre la red del embudo(2). Apriete la parte superior de la bolsa de captura (3) ajustándola al anillo inferior de la boca de entrada de aire que hace de tope [F4].
3. Inserte la boca de entrada de aire de forma que el embudo de red y bolsa de captura [F4] queden alojados en su interior [F5].
4. Conecte el alimentador al enchufe de red eléctrica [F6].



Colocación de la trampa: ¿cuándo y dónde?

La colocación correcta de la trampa es un factor importante que influye en gran medida su eficacia. Por lo tanto es muy importante referirse a la descripción detallada de cómo posicionar mejor las trampas la cual puede encontrar en la página internet en: http://www.biogents.com/html/img/pool/Placement_and_effect_en.pdf

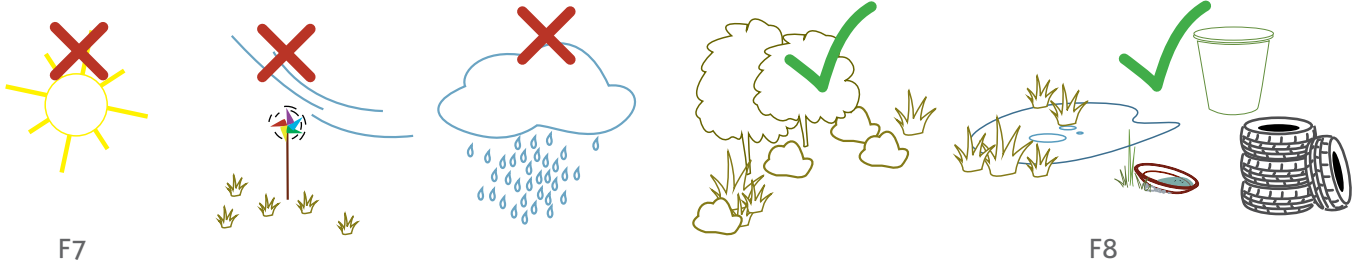
Nota general:

La trampa se debe colocar fuera en la primavera hasta al otoño: a temperatura media $> 15^{\circ}\text{C}$.

Coloque la trampa en un lugar **protegido de la luz solar directa, el viento y las lluvias fuertes** [F7].

Para obtener mejores resultados, **coloque la trampa en una ubicación sombreada y húmeda cerca de los puntos de reproducción del mosquito o de las zonas de reposo** [F8], por ejemplo: en arbustos o bajo árboles, cerca de charcos o barriles de lluvia.

La lluvia no afecta el funcionamiento de la trampa.



En detalle:

¿Cuándo? El tiempo correcto para operar la trampa:

Las trampas necesitan ser colocadas cuando la temperatura media ha aumentado más de 15°C . Por encima de esta temperatura, los mosquitos adultos están fuera y volando activamente. Este es el momento más oportuno para capturar los mosquitos antes de que tengan la oportunidad de reproducirse y poner sus huevos. Es importante asegurarse de que la trampa funciona las 24 horas del día.

¿Dónde? La posición correcta:

Para localizar la zona más óptima para colocar la trampa BG-Mosquitare, debe establecer de donde los mosquitos tigre están viniendo. Los mosquitos vuelan de las siguientes dos direcciones:

1. **Aguas estancadas de incubación:** Los mosquitos ponen sus huevos en recipientes naturales y artificiales. A partir de ahí, los mosquitos recientemente surgidos comienzan en busca de su primera presa. Las aguas posibles para la cría de mosquitos pueden ser:
 - Los barriles de lluvia, canales de la lluvia, los neumáticos desechados, árbol natural y agujeros naturales de árboles y roca u otros recipientes de agua
 - Las macetas, floreros, platos de macetas o recipientes similares de pie
 - Hábitats de agua dulce y charcos (todos los que no contienen peces pequeños)
2. **Lugares de descanso:** Los mosquitos descansan en el follaje, por ejemplo, setos y otros lugares con sombra, sin viento con alta humedad para evitar la pérdida de agua. Desde aquí, los mosquitos también comienzan su búsqueda de presas. A los mosquitos no les gustan los lugares con exposición directa al sol intenso o viento.

Todas las superficies superiores de la trampa deben ser claramente visibles para el mosquito, para que su presentación especializada sea eficaz para atraer a los mosquitos.

Entonces es importante no colocar las trampas debajo de arbustos muy densos [F9]. Una distancia de al menos 0,5 metros desde el punto de la parte superior de la trampa debe mantenerse clara [F10]. La reducción del espacio libre por encima de la parte superior de la trampa obstaculizará las señales visuales y las corrientes de aire de la trampa y por consecuencia reducirán la tasa de captura.



F9



F10

Proteja la trampa de la lluvia fuertes:

Para una mejora en la tasa de captura se sugiere ubicar la trampa en una posición protegida, por ejemplo: en un arbusto pequeño [F10], debajo de un árbol, o debajo de un techo. Aquí incluso la lluvia no afecta las tasas de captura.

Pero las fuertes lluvias tienen efectos negativos que podrían disminuir la tasa de captura, aunque las fuertes lluvias no dañan la trampa:

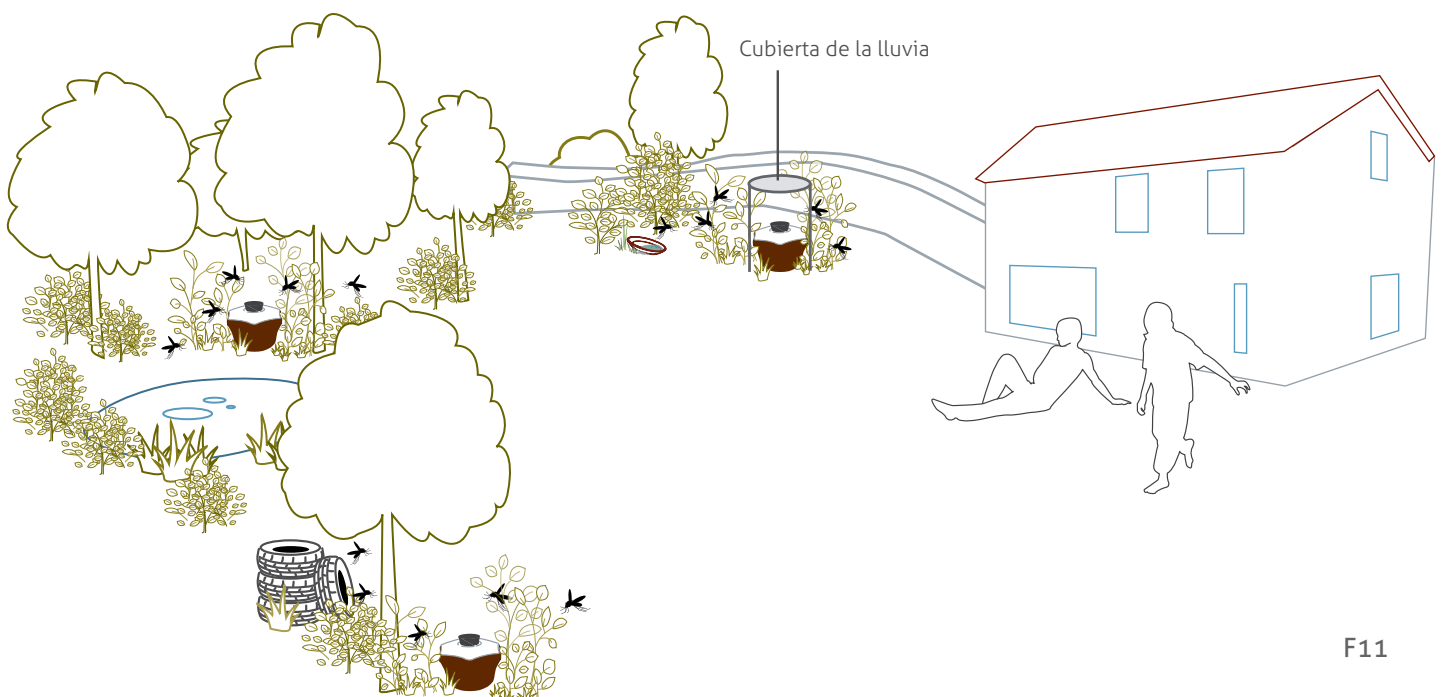
- Los mosquitos evitan la lluvia y prefieren posiciones cubiertas. Por lo tanto en dicha posiciones la tasa de captura puede ser mucho mayor.
- Las lluvias fuertes obstruyen los poros de la cubierta que conduce a una reducción de la potencia de succión causando que la trampilla se cierre.

Si usted no encuentra un lugar protegido naturalmente para la trampa, sería mejor colocar la trampa bajo un área cubierta, o una cubierta hecha a mano para mantenerlo fuera de la lluvia directa.

Es importante seguir los siguientes pasos cuando proteja la trampa de la lluvia:

- La trampa debe tener una distancia de al menos 0,5 metros desde el punto de la cubierta hasta el punto de la superficie superior de la trampa. Cualquier distancia inferior obstaculizará las señales visuales y las corrientes de aire de la trampa y en consecuencia se reduce la tasa de captura.
- Asegúrese de que el área de protección tenga una superficie adecuada alrededor de la trampa, para que la lluvia no puede entrar por los lados.
- Asegúrese de que la cubierta sea estable y de estructura durable.

El gráfico siguiente [F11] muestra las posibles ubicaciones para el BG-Mosquitaire entre puntos de incubación de mosquitos, áreas de descanso de mosquitos y la casa. Por favor, coloque la trampa para que nadie pueda tropezar con el cable de alimentación.



F11

Control de captura

Compruebe la bolsa de captura y obtenga los resultados de captura después de 3 días de funcionamiento de la trampa. En caso de lluvias o temperatura por debajo de 20° C y viento el número de capturas puede ser inferior por lo que deberá prolongar el período entre los controles.

Evaluación de los resultados de captura: Extraiga y coloque la bolsa de captura en una bolsa de plástico, cerrándola y dejándola al sol para que los mosquitos se deshidraten. Posteriormente puede vaciar la bolsa y contar los mosquitos capturados.

Una dirección óptima de la trampa permitirá una mayor captura de mosquitos.

Mantenimiento y cuidado

Al trabajar con la trampa BG-Mosquitaire y también cuando supervise la captura, utilice guantes. La bolsa de captura debe ser extraída cuidadosamente para asegurarse que los mosquitos capturados que están todavía vivos no puedan escaparse o no puedan picarle a través de la red.

Utilice un paño húmedo para limpiar la carcasa de plástico de la trampa. No utilice ningún producto de limpieza, solventes, o insecticidas por que los residuos de estos productos

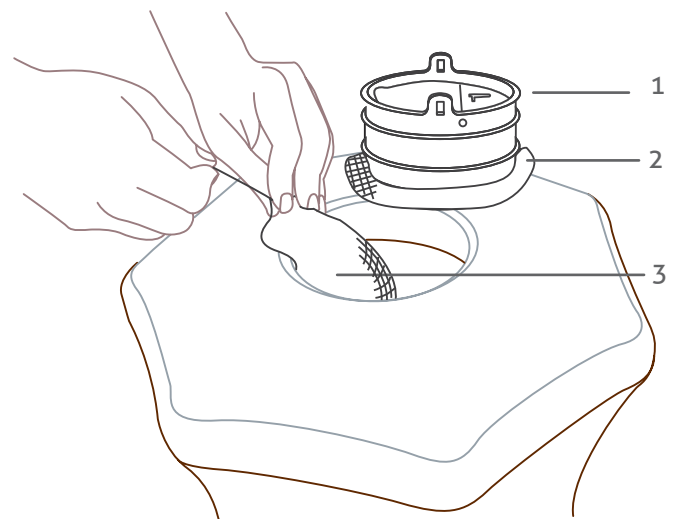
pueden tener un efecto de rechazo en los mosquitos y por lo tanto reducir el índice de captura de la trampa. No utilice ningún objeto puntiagudo o áspero para limpiar la trampa. Utilice solamente los accesorios y las partes recomendados por el fabricante. El uso de piezas extrañas puede reducir el índice de captura de la trampa de BG-Mosquitaire o incluso hacer que sea ineficaz.

Cambio de la bolsa de captura

La bolsa de captura, junto con los mosquitos atrapados, debe ser extraída cuando esté medio llena. A más tardar la bolsa de captura debe ser cambiada una vez que la sustancia olorosa BG-Sweetscent haya terminado. Es importante cambiar la bolsa de captura porque puede ensuciarse de polvo en un cierto plazo y disminuir el índice de captura del BG-Mosquitaire.

1. Retire embudo de red (color negro) (1) con la bolsa de captura a media mitad de la trampa.
2. Extraiga la bolsa de captura (3) del embudo de red (2) y al mismo tiempo tire la cuerda para cerrar la bolsa de captura [F12].
3. Luego deseche la bolsa de captura, o si lo desea, evalúe la toma de mosquitos atrapados.
4. Remueva el embudo de red del tubo negro de ingreso y remueva el polvo con agua tibia.

5. Reemplaze el embudo de red y la bolsa de captura a la boca de entrada de aire, y colóquelo de nuevo en la trampa [F4-5].



¿Por qué la sustancia olorosa BG-Sweetscent es importante?

El desarrollo de la sustancia olorosa BG-Sweetscent patentada, es el resultado de 15 años de investigación del mosquito tigre en la universidad de Regensburg en Alemania. Está compuesto de tres componentes, que simulan un olor semejante a la piel humana, y en combinación con la trampa atrae a los mosquitos. El BG-Sweetscent aumenta el índice de captura de la trampa BG-Mosquitaire específicamente para los mosquitos tigre.

Después de abrir el paquete, la sustancia olorosa BG-Sweetscent se puede utilizar hasta 8 semanas. Después de las 8 semanas, el BG-Sweetscent se debe sustituir para asegurar la eficacia de la trampa BG-Mosquitaire.

BG - Sweetscent™

El producto es una bolsa que contiene una fórmula patentada basada en ácido láctico que imita el olor de la piel humana.

Duración: hasta 2 meses.

Para ser utilizado en combinación preferiblemente con las trampas de mosquitos Biogents.

Instrucciones: Mantenga el embalaje sin abrir en un lugar seco, fresco y alejado de los alimentos. No abra el embalaje antes de que vaya a usar el producto. Retire el sobre blanco del embalaje y colóquelo dentro de la trampa de mosquitos. Nunca abra el sobre blanco.

Use sólo según las instrucciones. Lávese las manos después del manejo.

Mantenga alejado de los niños. Después de utilizar desheche en la basura doméstica.

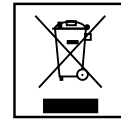
Lea las instrucciones adjuntas antes de usar.

Peso neto: 11 g.

Contiene <1% ácido láctico

Datos técnicos

Peso : 2,2 kg
Dimensión: 30 x 37 cm
Ventilador: 12 V DC, 3.6 Watt
Fuente de alimentación conmutada: AC Input 100 – 230 V,
Frecuencia: 60 Hz/50 Hz,
DC Output 12 V 1 A



ROHS[✓] CE

Declaración CE de conformidad

Tipo de producto: Trampa para mosquitos
Producto: BG-Mosquitaire™

Abajo firmado por este medio declara, a nombre de la compañía Biogents AG de Regensburg, Alemania, de la cual el producto arriba referido, con que esta declaración se relaciona, está conforme a las directivas:

- DIRECTIVA 2003/108/CE DEL PARLAMENTO EUROPEO Y DEL CONSEJO de 8 de diciembre de 2003 por la que se modifica la Directiva 2002/96/CE sobre residuos de aparatos eléctricos y electrónicos (RAEE);
- DIRECTIVA 2004/108/CE DEL PARLAMENTO EUROPEO Y DEL CONSEJO de 15 de diciembre de 2004 relativa a la aproximación de las legislaciones de los Estados miembros en materia de compatibilidad electromagnética y por la que se deroga la Directiva 89/336/CEE;
- DIRECTIVA 2005/88/CE DEL PARLAMENTO EUROPEO Y DEL CONSEJO de 14 de diciembre de 2005 por la que se modifica la Directiva 2000/14/CE relativa a la aproximación de las legislaciones de los Estados miembros sobre emisiones sonoras en el entorno debidas a las máquinas de uso al aire libre;
- DIRECTIVA 2006/42/CE DEL PARLAMENTO EUROPEO Y DEL CONSEJO de 17 de mayo de 2006 relativa a las máquinas y por la que se modifica la Directiva 95/16/CE (refundición)
- DIRECTIVA 2006/95/CE DEL PARLAMENTO EUROPEO Y DEL CONSEJO de 12 de diciembre de 2006 relativa a la aproximación de las legislaciones de los Estados miembros sobre el material eléctrico destinado a utilizarse con determinados límites de tensión;
- DIRECTIVA 2008/35/CE DEL PARLAMENTO EUROPEO Y DEL CONSEJO de 11 de marzo de 2008 que modifica la Directiva 2002/95/CE sobre restricciones a la utilización de determinadas sustancias peligrosas en aparatos eléctricos y electrónicos, por lo que se refiere a las competencias de ejecución atribuidas a la Comisión;
- DIRECTIVA 2009/125/CE DEL PARLAMENTO EUROPEO Y DEL CONSEJO de 21 de octubre de 2009 por la que se insta un marco para el establecimiento de requisitos de diseño ecológico aplicables a los productos relacionados con la energía (refundición).

El archivo técnico de la construcción requerido por este directorio se mantiene en las jefaturas corporativas Biogents AG, Weißenburgstr. 22, 93055 Regensburg, Alemania.

Regensburg, 8 de diciembre de 2015

Andreas Rose
(Director)

Martin Geier
(Director)

Biogents AG
Weißenburgstr. 22
93055 Regensburg
Alemania
info@biogents.com